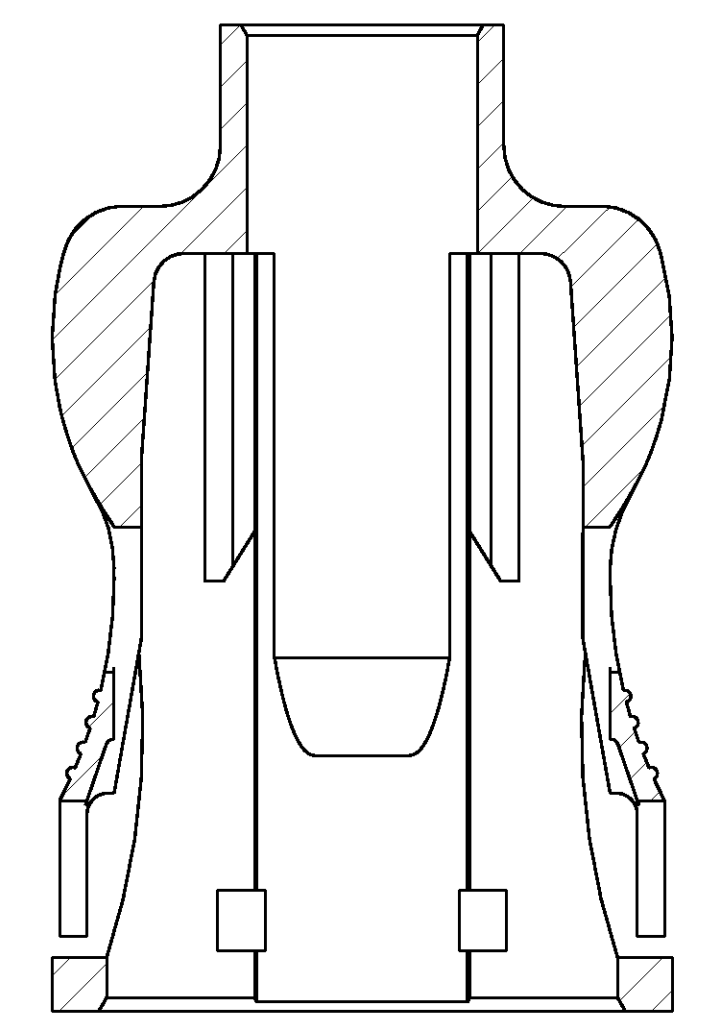
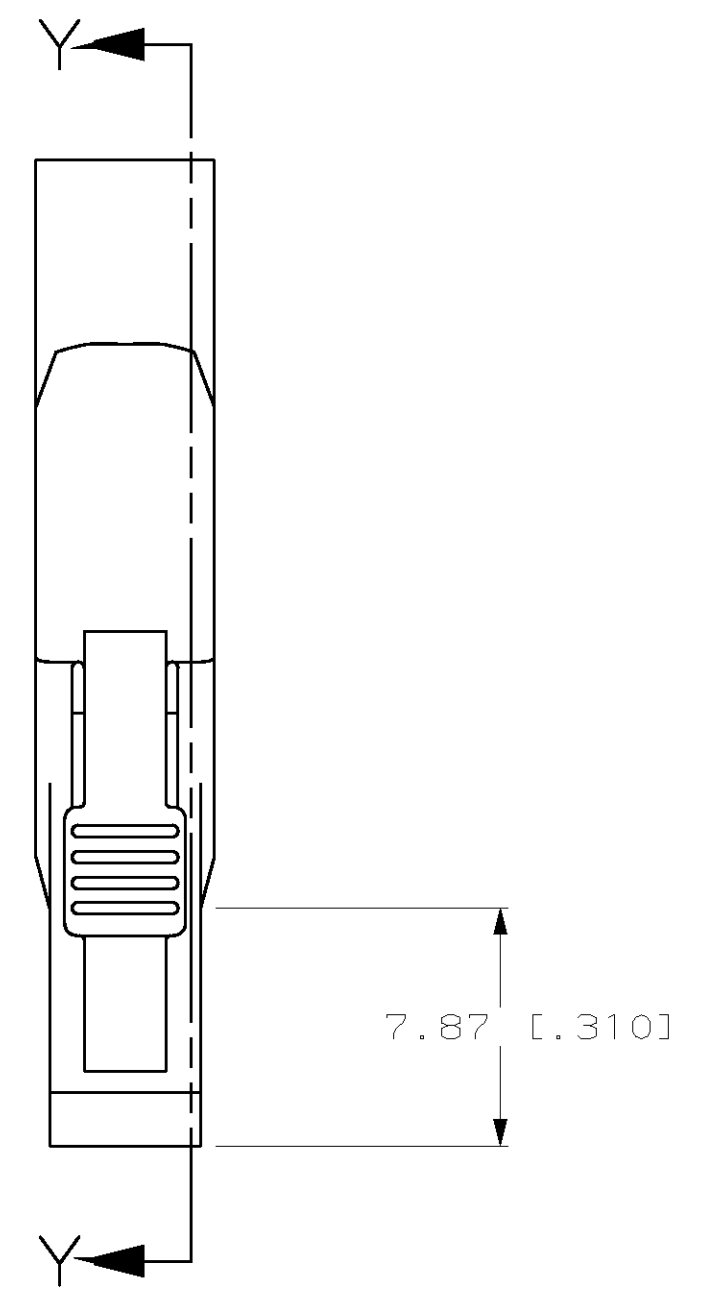
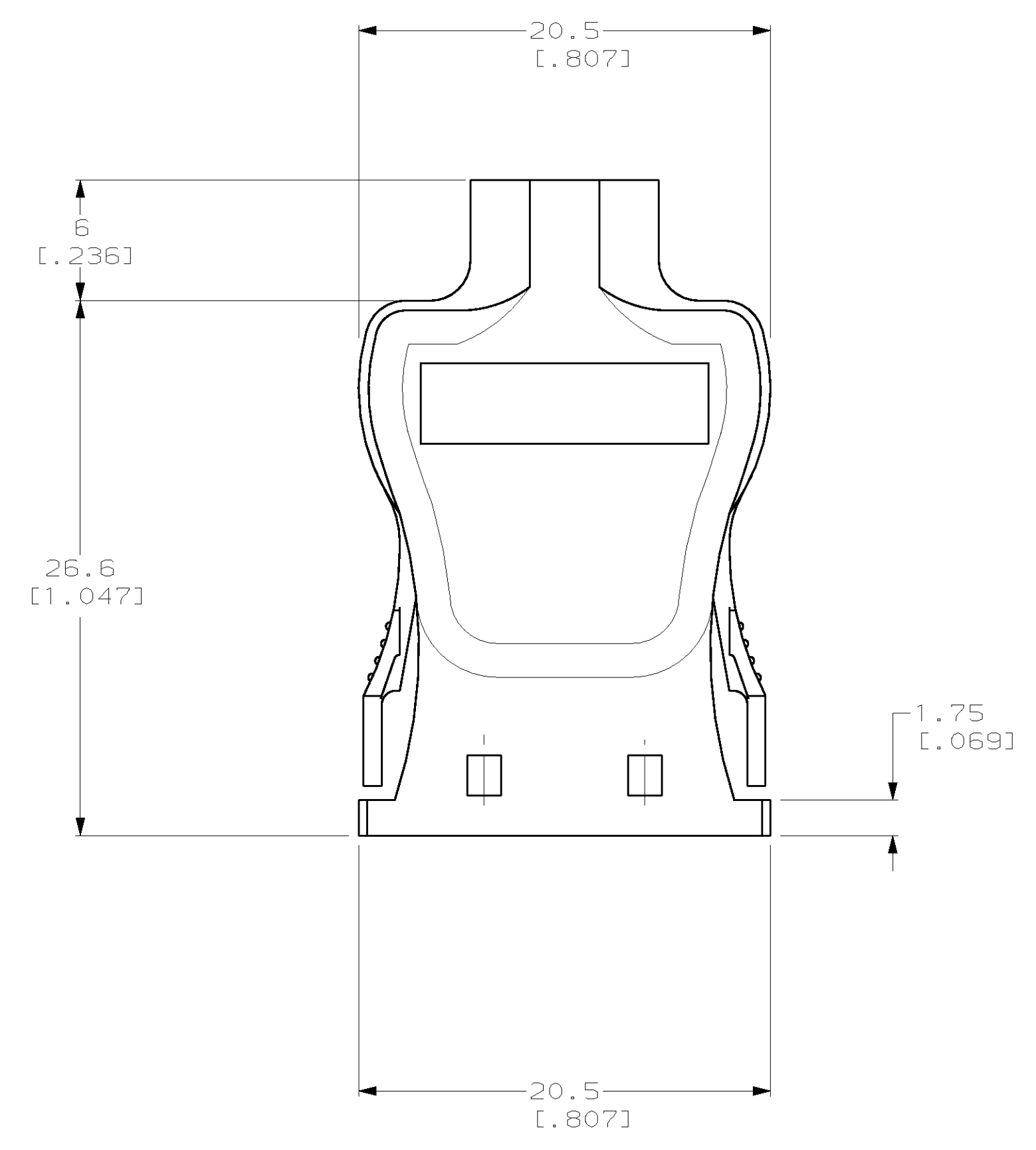
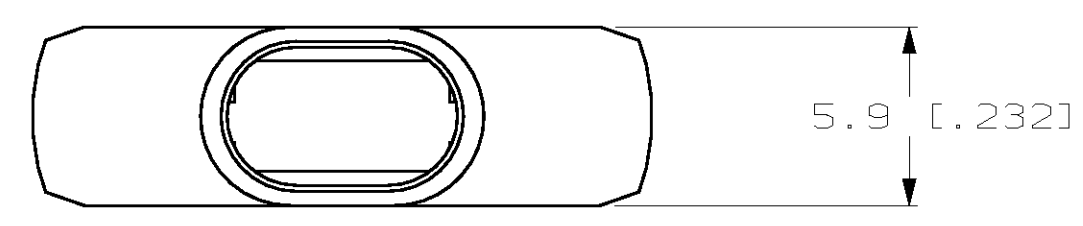
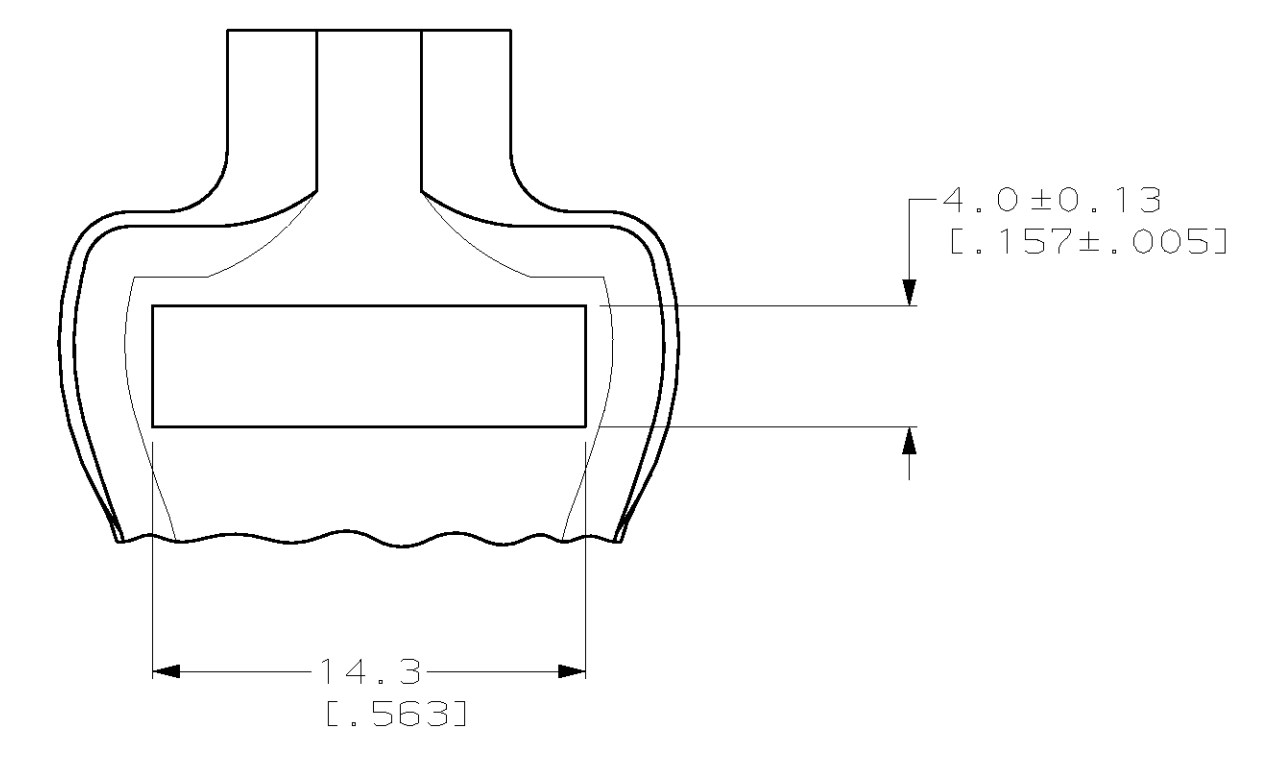


REV. NO.		REVISIONS			
NO.	DATE	DESCRIPTION	DATE	OWN	APPROV
AA	23				
C		REV, EC 0651-0142-98	19NOV98	GG	JT

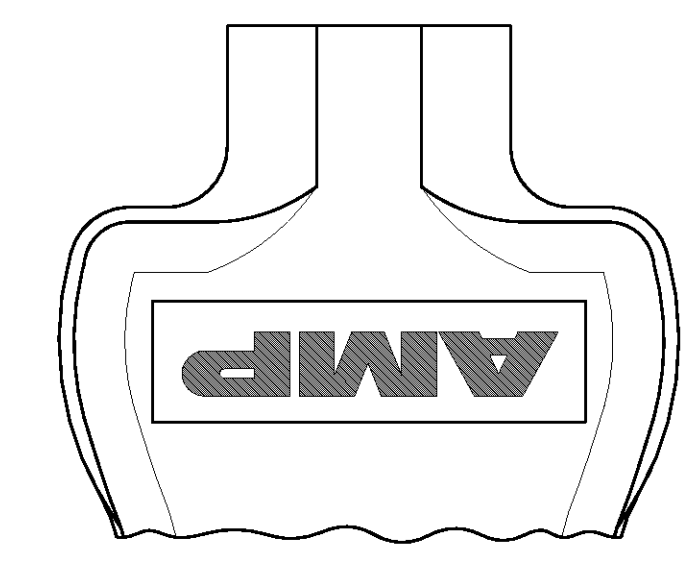
⚠ MATERIAL: POLYPHENYLENE OXIDE MOLDING COMPOUND, BLACK.



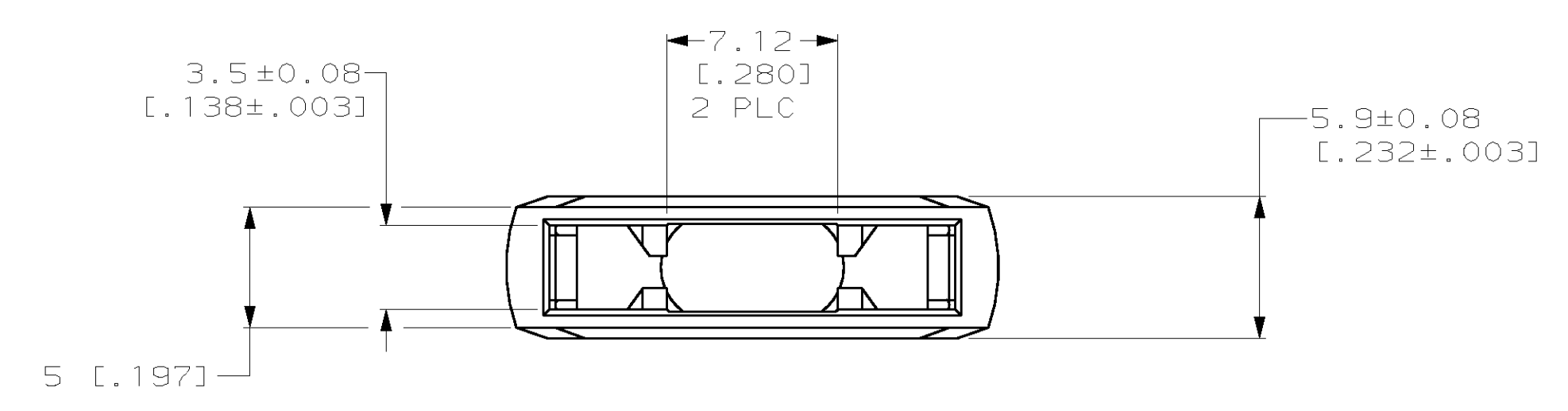
SECTION Y-Y



558665-2



558665-1



OBsolete	RESTRICTED SEE 558665-3	558665-3
	BOOT W/O LOGO	558665-2
	BOOT W/ AMP LOGO	558665-1
	DESCRIPTION	PART NO.

THIS DRAWING IS A CONTROLLED DOCUMENT.		DWN R.K. BARKER 11/01/94	AMP Incorporated Harrisburg, PA 17105-3608	
DIMENSIONS mm (INCHES)		CHK C. WHITT 11/01/94	NAME	
TOLERANCES UNLESS OTHERWISE SPECIFIED:		APPROV D. WOLLA 11/01/94	PRODUCT SPEC	
0 PLC	±0.13 [0.005]	APPLICATION SPEC		
1 PLC	±0.13 [0.005]	SIZE		
2 PLC	±0.13 [0.005]	CAGE CODE		
3 PLC	±	DRAWING NO		
4 PLC	±	RESTRICTED TO		
ANGLES	±	A100779 558665		
MATERIAL	FINISH	WEIGHT	CUSTOMER DRAWING	
		SCALE	SHEET	REV
		4:1	1 OF 1	C